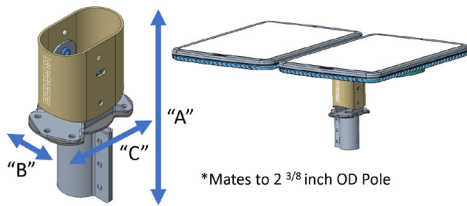
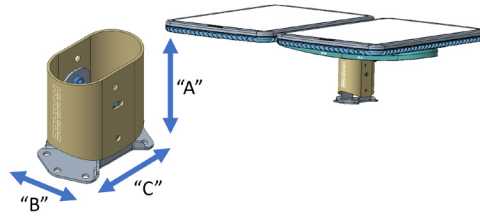


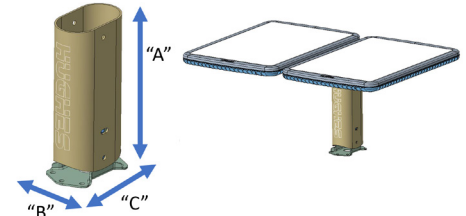
HL1120W Mount Options



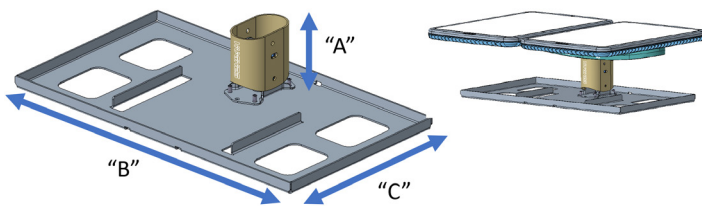
(1) Mast Adapter Mount



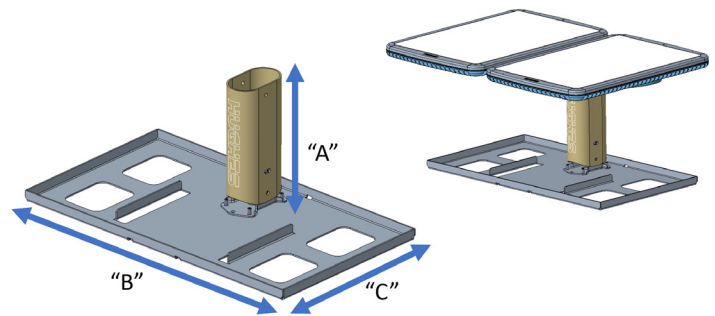
(2) Penetrating Mount with Short Stanchion



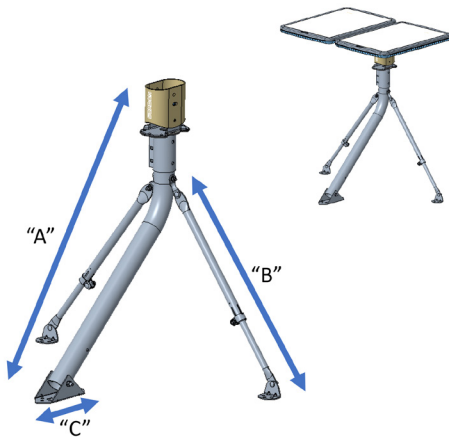
(3) Penetrating Mount with Tall Stanchion



(4) Non-Penetrating Mount with Short Stanchion



(5) Non-Penetrating Mount with Tall Stanchion



(6) Mast Adapter with Trimast

	Mount Kit	Part Number	Mount Dimensions (inches)			Mount Weight (lbs)
			A	B	C	
1	Mast Adapter Mount	1508555-0001	10.00	3.87	5.85	3.45
2	Penetrating Mount with Short Stanchion	1508559-0001	5.38	3.59	5.85	1.76
3	Penetrating Mount with Tall Stanchion	1508558-0001	11.29	3.59	5.85	2.72
4	Non-Penetrating Mount with Short Stanchion	1508557-0001	5.50	28.83	16.25	13.27
5	Non-Penetrating Mount with Tall Stanchion	1508556-0001	11.41	28.83	16.25	14.23
6	Mast Adapter with Trimast	1508654-0001	29.94	23.33	7.91	14.70