

Safety Instructions



Mount antennas in such a manner as to minimize the potential for human contact during normal operation. To avoid the possibility of exceeding the FCC radio frequency exposure limits, human proximity to the antenna shall not be less than 3 feet during normal operation. Before servicing or upgrading, unplug the satellite modem. Do not place any body parts or objects between the radio and the reflector at any time during operation.



The ODU, IDU, and cables are electrical conductors. Transients or electrostatic discharges that may occur at the antenna (such as a lightning strike during thunderstorms) may damage your electronic equipment and cause personal injury or death to persons touching the exposed metal connectors of the equipment if not installed properly.



The IDU is not waterproof or water resistant. Contact with water can cause shock injuries and can permanently damage these units.



If there is any reason to remove power from the IDU, always unplug the AC power cord from the power source (power outlet, power strip, or surge protector) before unplugging the DC input. Do not remove the DC power cord from the IDU's rear panel while AC power is going to the power supply. Doing so could result in an electrical shock or damage the modem.



- Always use the power supply provided with in the IDU kit. UT performance may suffer if the wrong power supply is used.
- Connect the AC/DC power supply to an alternating current (VAC) three-wired grounded outlet. A suitable surge protector is recommended to protect the IDU from possible damage due to power surges.
- Always connect the DC power cord to the HL1100W-IDU rear panel before applying power to the power supply. If you apply power to the power supply and then connect the DC power cord, the IDU may not perform properly and could be damaged.



Observe the power standards and requirements of the country where it is installed.



The ODU should be handled with care to avoid damage to the radiating surface, connectors, and mounting elements. Special care should be taken to protect the hydrophobic coating on the top surface of the ODU. Avoid handling/touching the top surface and protect it from scratching, especially during pre-installation when the unit may be upside down.

If needed, use the foam insert from the packaging to keep anything from touching the top surface of the ODU.



CONNECTED BY
eUTELSAT
ONEWEB



OneWeb HL1100W Quick Start Guide

HUGHES
An EchoStar Company

Copyright © 2024 Hughes Network Systems, LLC

All rights reserved. This publication and its contents are proprietary to Hughes Network Systems, LLC. No part of this publication may be reproduced in any form or by any means without the written permission of Hughes Network Systems, LLC, 11717 Exploration Lane, Germantown, Maryland 20876.

Hughes Network Systems, LLC has made every effort to ensure the correctness and completeness of the material in this document. Hughes Network Systems, LLC shall not be liable for errors contained herein. The information in this document is subject to change without notice. Hughes Network Systems, LLC makes no warranty of any kind with regard to this material, including, but not limited to, the implied warranties of merchantability and fitness for a particular purpose.

Trademarks: HUGHES, Hughesnet, and Hughesnet Fusion are registered trademarks, and HughesON, IPoS, SPACEWAY, and JUPITER are trademarks of Hughes Network Systems, LLC. All other trademarks are the property of their respective owners.

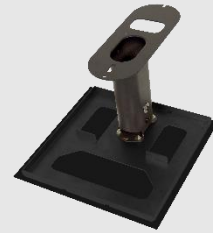
This guide covers how to assemble, install, and commission the OneWeb HL1100W user terminal (UT). For detailed information related to the steps in this guide, refer to **OneWeb HL1100W UT Installation Guide** (1044008-0001). Follow the steps in this guide in the order in which they appear.

What's in the Box?

Equipment needed for your Hughes Managed LEO service:



Outdoor Unit (ODU)



Antenna Mounting Kit:

1. Tray
2. Rubber mat
3. Stanchion
4. Non-penetrating mount
5. Bolts/screws/washers



Indoor Unit (IDU) Kit:

1. HL1100W IDU
2. Power supply unit (PSU)
3. Power cable
4. Coax connectors

STEP
1

Unpack and inspect all the components to ensure they are all present and in good condition.

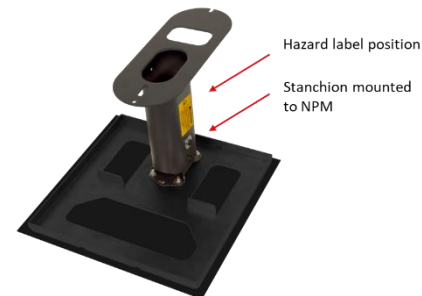


The ODU should be handled with care to avoid damage to the radiating surface, connectors, and mounting elements. Special care should be taken to protect the hydrophobic coating on the top surface of the ODU. Avoid handling/touching the top surface and protect it from scratching, especially during pre-installation when the unit may be upside down. If needed, use the foam insert from the packaging to keep anything from touching the top surface of the ODU.

STEP
2

Assemble the stanchion onto the non-penetrating mount (NPM) with the supplied hardware. Affix the hazard label to the stanchion at the position indicated in the figure to the right.

NOTE: Place ballast blocks of at least 20 lb (or 9.1 kg) onto either side of tray. This increases stability.



STEP
3

Install the mounting bolt in the antenna's rear mounting hole, leaving 1/2" of clearance. Guide the antenna using the mounting bolt and alignment boss and rest it on the stanchion's adapter plate. Fasten the antenna to the stanchion by first installing and fully tightening the front mounting bolt and then fully tightening the rear mounting bolt.



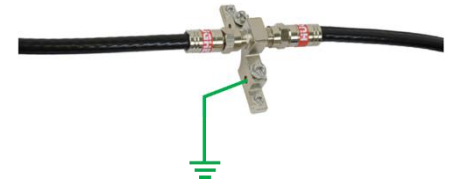
STEP
4

Thread one end of the IFL cable onto the antenna type F connector.



STEP
5

Ground the user terminal via the IFL cable using the provided ground block. For grounding requirements, see **OneWeb HL1100W UT Installation Guide** (1044008-0001).



STEP
6

Connect the IFL cable to the type F connector on the rear panel of the HL1100W IDU.

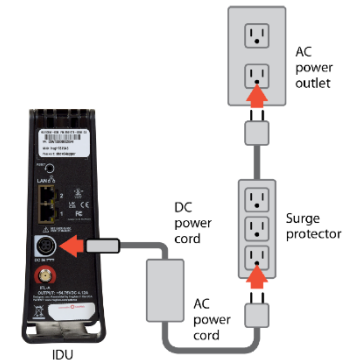
TIP: Use the type F torque wrench to ensure sufficient tightness and connection reliability.



STEP
7

Connect the DC power cord to the IDU's DC IN connector and apply power by connecting the AC power cord to the surge protector, as shown.

NOTICE: Review the safety instructions in this guide.



STEP
8

Establish a connection to the IDU. Use your smart device to connect to the HL1100W IDU built-in Wi-Fi router. The Wi-Fi SSID and password can be found on the rear label of the HL1100W IDU.



STEP
9

Download the Hughes LEO app (on the App Store for iOS devices or Google Play Store for Android devices) to commission the UT.

NOTE: Alternatively, you can commission the UT in the local user interface (LUI) by accessing <http://192.168.100.1> in your browser.



This completes the installation of the HL1100W user terminal.